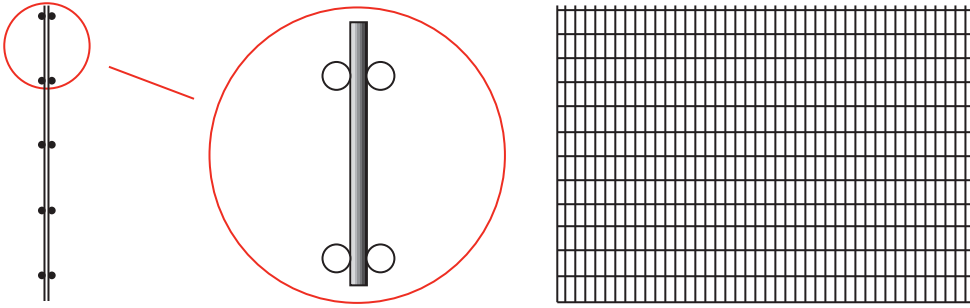


# MasterView Twin

200 x 50mm mesh size with twin horizontal wires for increased security.  
Horizontal wires 6mm, vertical wires 5mm.

MasterView Twin features twin horizontal wires sandwiching single vertical wires.  
When compared with MasterView Profile, this heavier design increases the time it takes to break through the mesh making it a more secure solution.



## MasterView Twin - Specification

MasterView Twin	1.8	2.0	2.4
Panel height - mm	1830	2030	2430
Panel width - mm	2506		
Mesh Size - mm	200 x 50		
Horizontal wire Ø - mm	2 x 6		
Vertical wire Ø - mm	5		
Panel weight - kg	25	28	32
Fixing clips	5	6	7
Post length 60 x 60 x 3mm - m	2.5	2.7	3.1

Specifications are for guidance only and are subject to change without notice. Please check before ordering.



# MasterView Mesh Fencing Systems

MasterView is a range of robust, attractive, easy to install mesh fencing systems with the strongest posts of any comparable system. MasterView provides high-security solutions and maximum anti-corrosion protection - all backed by an expert customer service team.

These MasterView systems are suitable for many locations including schools, industrial and commercial sites and parks, particularly where good visibility through the fence is required. Installation is straightforward and quick, and the finished installation is as secure as it is aesthetically pleasing.

## Features and Benefits

Features	Benefits
■ Posts are 60 x 60 x 3mm SHS	■ MasterView posts are the strongest posts of any comparable system
■ Posts are pre-drilled for standard stepping	■ Pre-drilled holes make it easy to step panels on sloping ground
■ Self-tapping fixing	■ No threaded inserts in posts which can spin making installation difficult
■ Magnetic fixing tool	■ Makes installation even easier
■ Wires protrude above top horizontal wire (Profile and Twin)	■ Provides additional security Panel may be inverted if not required
■ Unique MasterFix fastenings	■ Anti-vandal and tamper resistant, with nothing protruding from the back of the posts
■ A range of MasterView systems available	■ The design of the mesh panels means there is a MasterView solution for all fencing requirements
■ MasterView is manufactured in the UK	■ Extensive stocks are available for immediate despatch on Peart Fencing transport with crane offloading

